

Datasheet

Lithium-Ion-Battery and charger

BIS-0360105PB

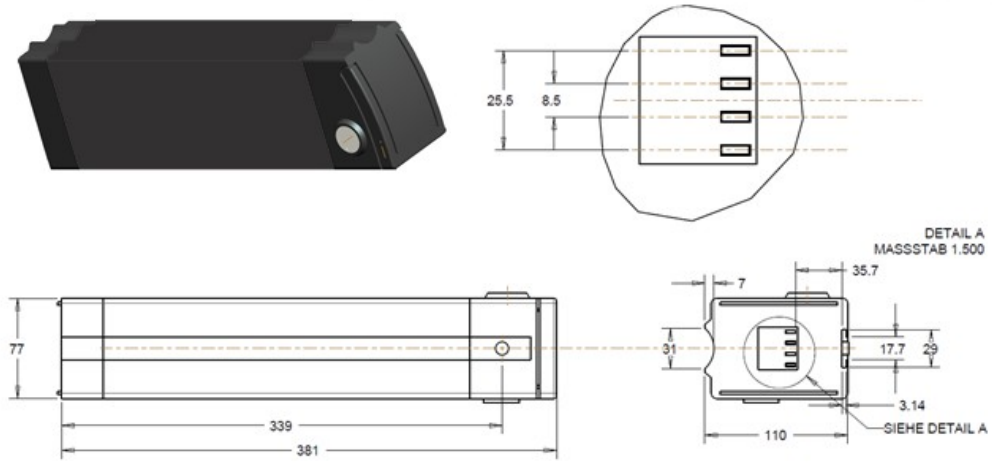
36 V (37 V) / 10.4 Ah - Black

Lithium-Ion-Battery with keys and charger.

Technical Data:

Nominal voltage:	36 V (37 V)
Rated capacity C1:	10.4 Ah
Standard charge:	2 A CC (constant current) until 42 V, then CV (constant voltage) 42 V until I = 0,4 A
Maximum discharge current:	20 A
Discharge cut-off voltage:	30 V
Operating temperature:	Charging : 0 - 45°C Discharging : -20 - 60°C
Storage temperature:	-20 - 45°C
Weight:	3.5 kg

Dimensions:



Status: January 2016