

Datasheet

Lithium Ion Battery and charger

BIS-0360174W

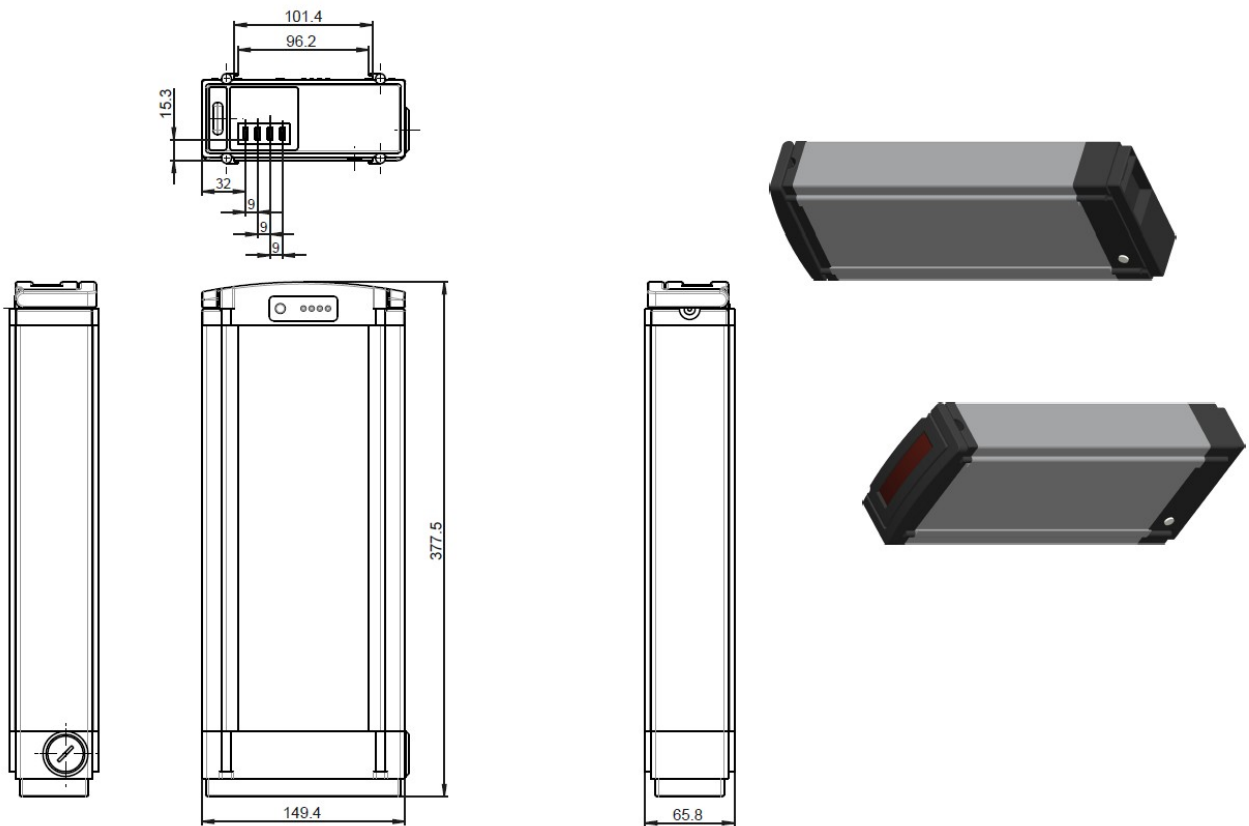
36 V / 17.4 Ah

Lithium Ion Battery with metal case, base, key, charge and discharge fuse,
electronic and charger for electrical bicycles, ready for use.

Technical Data:

Nominal voltage:	36 V (37 V)
Rated capacity C1:	17.4 Ah
Standard charge:	2 A CC (constant current) until 42V/Zelle, then CV (constant voltage) 42V/Zelle for 3.5 hours
Maximum discharge current:	24 A
Maximum peak discharge current:	45 A (maximal 1 sec.)
Discharge cut-off voltage:	30 V
Operating temperature:	Charge : 0 - 45°C Discharge : -20 - 60°C
Storage temperature:	-20 - 45°C
Weight:	4.6 kg

Dimensions:



To switch on and off the backlight:



