

# Datasheet

## Lithium-Ion-Battery and charger

### BIS-0480200

### 48 V / 20 Ah

Lithium-Ion-Battery with assembly rail, keys and charger.

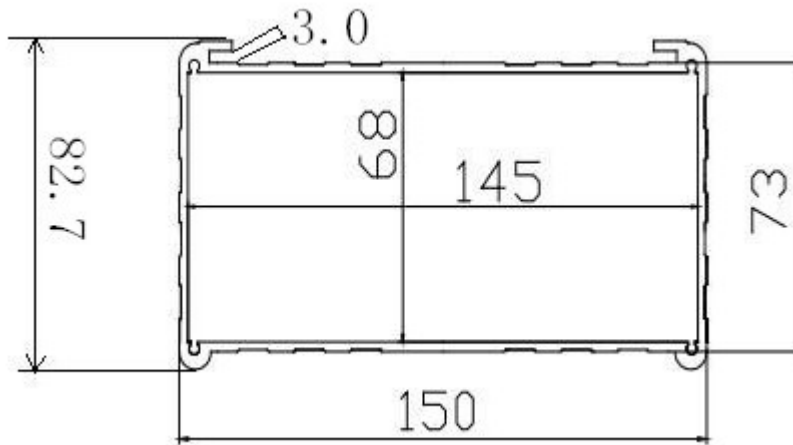
#### Technical Data:

Nominal voltage:	48 V
Nominal capacity C1:	20 Ah
Standard charge:	5 A CC (constant current) charge until 54.6 V, then CV (constant voltage) 54.6 V until I = 1 A
Maximum discharge current:	35 A
Cut off voltage:	39 V
Operating temperature range:	Charging : 0 - 45°C Discharging : -20 - 60°C
Storage temperature range:	-20 - 45°C
Weight:	> 10 kg

**Dimensions:**

L = 535 mm

**Profile:**



**Connection plug:**

Anderson SB50